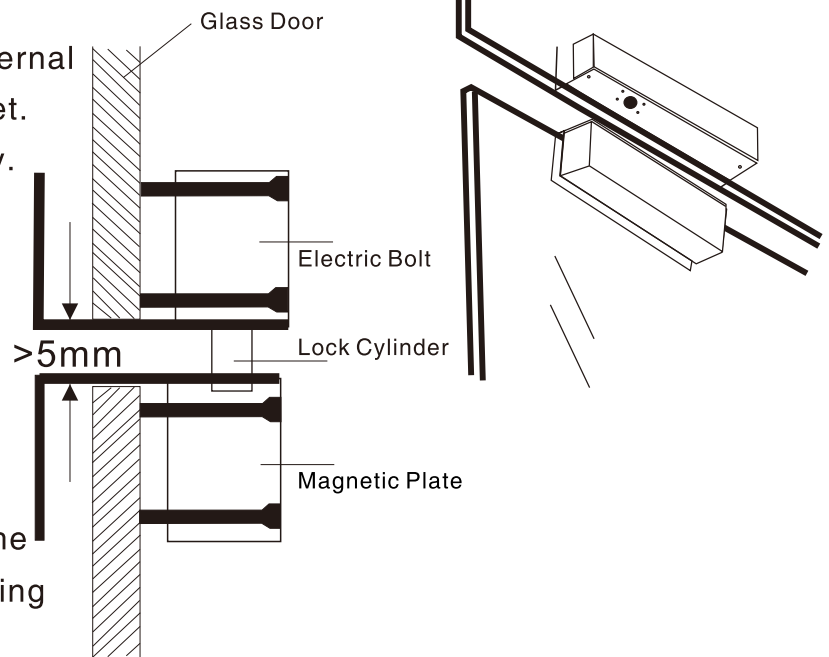




## Installation

### Steps:

1. Ensure the installation position, clean the glass surface.
2. Fix the spacer inside the U bracket, quantity of spacer can be increased according to the thickness of glass.
3. Paint the glass cement on the internal sideway of the under-part bracket.
4. Screw the bracket by the Allen key.



### Attentions:

1. YB-500U(LED) is specially for the 180 degree in-swing and out-swing frameless glass door.
2. The thickness of glass door is 10-12mm
3. The gap between the down-bracket and electric bolt is : 5-8mm.

## Wiring Diagram

