

# Wejoin Barrier Gate WJDZ801

## WEJOIN

让我们一起努力

[www.wejoin.com.cn](http://www.wejoin.com.cn)



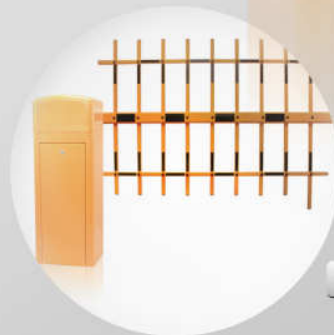
WJDZ801-26



WJDZ801-36



WJDZ801-46



WJDZ801-56

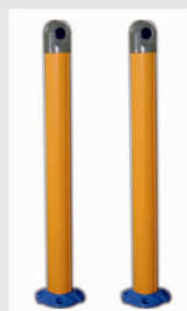


WJDZ801

*Unique Design, Stable and Durable!*

## Functions & Features

1. Wheel manual release. In case of power off, rotate the wheel manual release on the bottom of the motor to raise the boom manually. When power on, the motor will work normally
2. Machine core with strong and double springs, make the machine core works more steadily
3. Die-casting aluminum alloy motor, precise and good at thermal radiation
4. Crank and rod structure makes the boom run placidly
5. Double safety limit switches (photo electricity limit switch and motor memory sensor)
6. Reversing on obstacle
7. Auto-closing
8. Support the infrared photocell for anti-bumping function (optional)
9. Support external and internal vehicle loop detector (optional)
10. Traffic light interface (AC220V, can support lamp with 40W)
11. Wire control (switch signal)/Remote control (418MHZ)
12. Rs485 Communication module (optional)
13. Open, close control interface for parking system
14. Provide limit state signal to parking system



⑧

Photocell (optional)



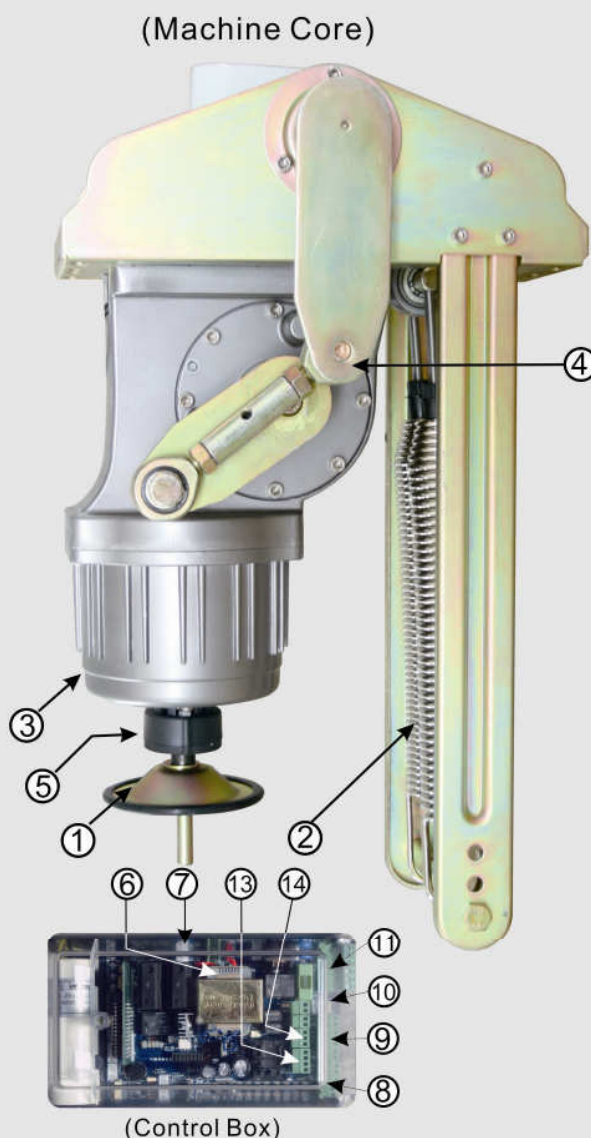
⑫

RS485(optional)



⑨

Loop Detector (optional)



## Technical Data

| Model(WJDZ)          | 801-11             | 801-13 | 801-16 | 801-23      | 801-26 | 801-33       | 801-36 | 801-46    | 801-56    |
|----------------------|--------------------|--------|--------|-------------|--------|--------------|--------|-----------|-----------|
| Item                 |                    |        |        |             |        |              |        |           |           |
| Running time         | 1.5 sec            | 3 sec  | 6 sec  | 3 sec       | 6 sec  | 3sec         | 6 sec  | 6 sec     | 6 sec     |
| Boom type            | Straight           |        |        | 90° folding |        | 180° folding |        | 2 fencing | 3 fencing |
| Max boom length      | 3 M                | 4.5 M  | 6 M    | 3 M         | 5 M    | 3 M          | 5 M    | 4.5 M     | 4 M       |
| Boom dimension (W×H) | 45 X 80 mm         |        |        | 45 X 100 mm |        |              |        |           |           |
| Boom weight          | 3 kg               | 4.5 kg | 6 kg   | 6.5 kg      | 8 kg   | 9 kg         | 11 kg  | 7 kg      | 7.5kg     |
| Voltage              | 220V±10%, 110V±10% |        |        |             |        |              |        |           |           |
| Frequency            | 50/60HZ            |        |        |             |        |              |        |           |           |
| Motor voltage        | 220V               |        |        |             |        |              |        |           |           |
| Power                | 80W                |        |        |             |        |              |        |           |           |
| Working temperature  | -35°C~+60°C        |        |        |             |        |              |        |           |           |
| Protection grade     | IP44               |        |        |             |        |              |        |           |           |