

# Installation Guide

TL-SM311 Series Mini GBIC Module

TL-SM311LS/TL-SM311LM

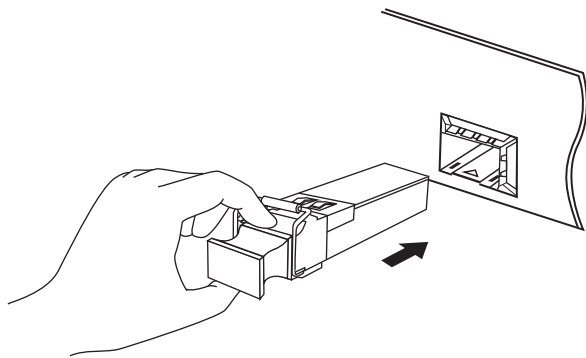


For more information, please visit our website:  
<http://www.tp-link.com>

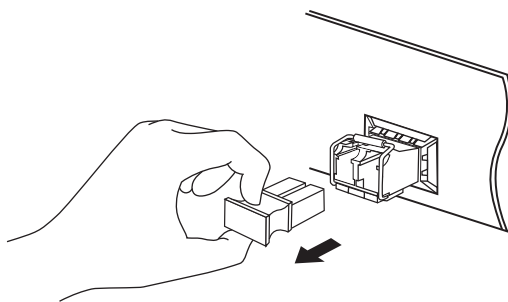
7106506731 REV3.0.0

## Install the SFP

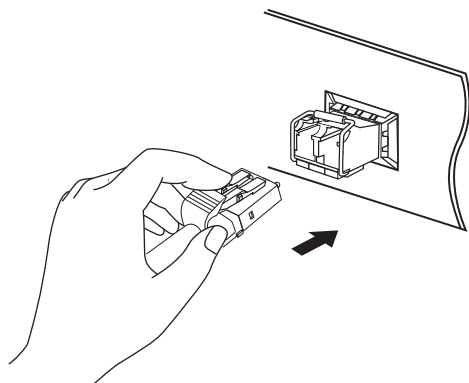
1. Wear an ESD-preventive wrist or ankle strap to prevent ESD damage to the transceiver.
2. Insert the SFP into the SFP slot and firmly press it into place.



3. Remove the protective dust plug from the SFP.

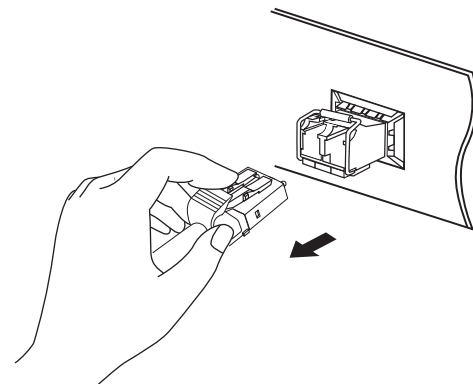


4. Plug a fiber-optic cable into the SFP. Note that the SFP works without any additional configuration.

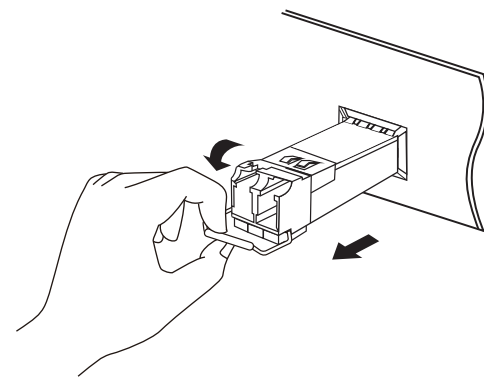


## Remove the SFP

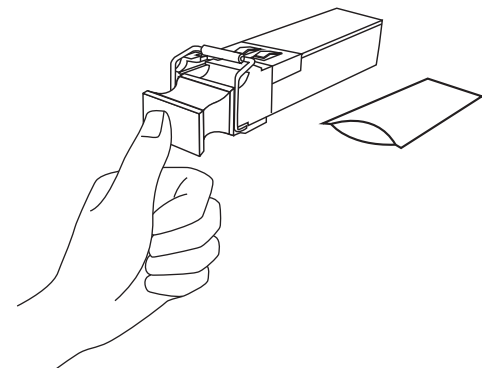
1. Wear an ESD-preventive wrist or ankle strap to prevent ESD damage to the transceiver.
2. Disconnect the network fiber-optic cable from the SFP.



3. Pull the safety latch downwards to release the SFP, and then pull it out from the slot.



4. Reinstall the protective dust plug in the SFP's optical bores and place it on antistatic mat or a static shielding bag.



### Note:

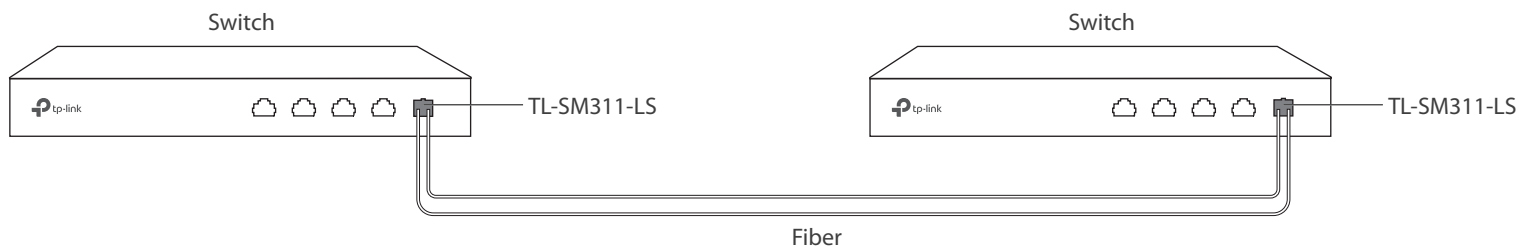
1. Do not touch the output pins on the transceiver with your hand.
2. Always keep the protective dust plug on the SFP's optical bores until you are ready to make a connection.

### Caution:

DO NOT point or stare directly into the beam or into the optical port of the transceiver when it is operating, as this can injure your eyesight.

# Connection

Only use the same transceiver model between switches for fast and reliable connectivity.



## Specifications

### General Specifications

Normal	TL-SM311LS	TL-SM311LM
Wave Length	1310nm	850nm
Standards and Protocols	IEEE 802.3z, CSMA/CD, TCP/IP	
Cable	Single-mode Fiber	Multi-mode Fiber
Fiber Type	9/125 um Single-mode	50/125 um or 62.5/125 um Multi-mode
Max. Cable Length	10km	550m
Data Rate	1.25Gbps	
Port Type	LC	
Power Support	3.3V	
Safety & Emission	FCC, CE	

### Environmental and Physical Specifications

Operation Temperature	0°C~70°C (32°F~158°F)
Storage Temperature	-40°C~80°C (-40°F~176°F)
Operation Humidity	10%~90% RH, Non-condensing
Storage Humidity	5%~90% RH, Non-condensing

### TP-Link Compatible Products

- TP-Link Switches with gigabit SFP Slots
- MC220L

#### Note:

The SFP modules may be incompatible with other vendors' devices. We recommend that you use only TP-Link SFP modules on your TP-Link devices.

### FCC STATEMENT

This equipment has been tested and found to comply with the limits for a Class B digital device, pursuant to part 15 of the FCC Rules. These limits are designed to provide reasonable protection against harmful interference in a residential installation. This equipment generates, uses and can radiate radio frequency energy and, if not installed and used in accordance with the instructions, may cause harmful interference to radio communications. However, there is no guarantee that interference will not occur in a particular installation. If this equipment does cause harmful interference to radio or television reception, which can be determined by turning the equipment off and on, the user is encouraged to try to correct the interference by one or more of the following measures:

- Reorient or relocate the receiving antenna.
- Increase the separation between the equipment and receiver.
- Connect the equipment into an outlet on a circuit different from that to which the receiver is connected.
- Consult the dealer or an experienced radio/ TV technician for help.

This device complies with part 15 of the FCC Rules. Operation is subject to the following two conditions:

- 1) This device may not cause harmful interference.
- 2) This device must accept any interference received, including interference that may cause undesired operation.

Any changes or modifications not expressly approved by the party responsible for compliance could void the user's authority to operate the equipment.

### SAFETY NOTICES

#### ⚠ Cautions

Do not use this product near water, for example, in a wet basement or near a swimming pool.

Avoid using this product during an electrical storm. There may be a remote risk of electric shock from lightning.

Do not point or stare directly into the beam or into the optical port of the transceiver when it is operating, as this can injure your eyesight.

#### CE CE Mark Warning

This is a class A product. In a domestic environment, this product may cause radio interference, in which case the user may be required to take adequate measures.



Продукт сертифіковано згідно з правилами системи УкрСЕПРО на відповідність вимогам нормативних документів та вимогам, що передбачені чинними законодавчими актами України.

