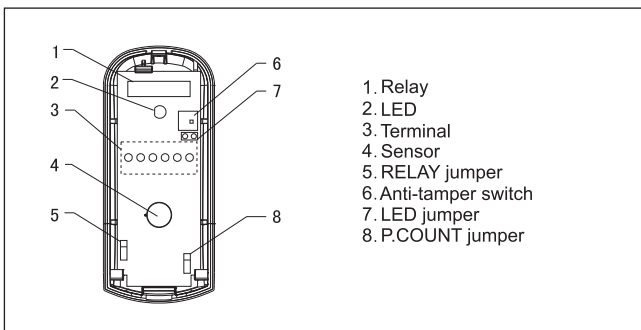


CURTAIN PASSIVE INFRARED DETECTOR



This product is the curtain passive infrared mini-detector with perfect designed streamline surface, can be mounted in wall or ceiling. It is chiefly used as safety facility in balconies, windows, gates, corridors and other places. The product has immunity for emission, auto-temperature compensation, and pulse count optional functions. It will alarm while receiving the bodies' heat source signal. By selecting suitable installation method it will have pet immunity function.

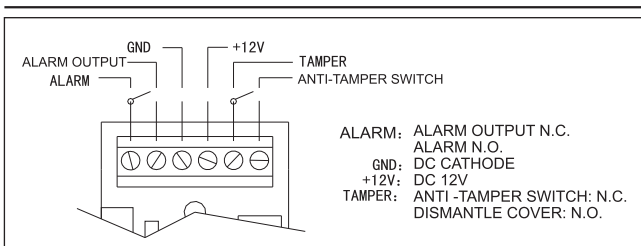
INSIDE FIGURE



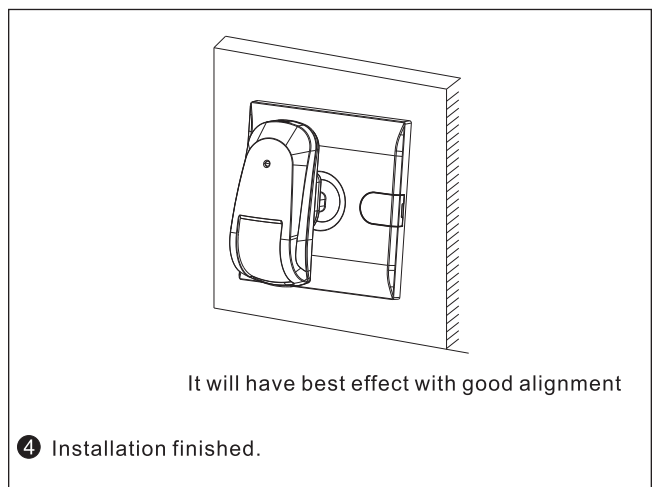
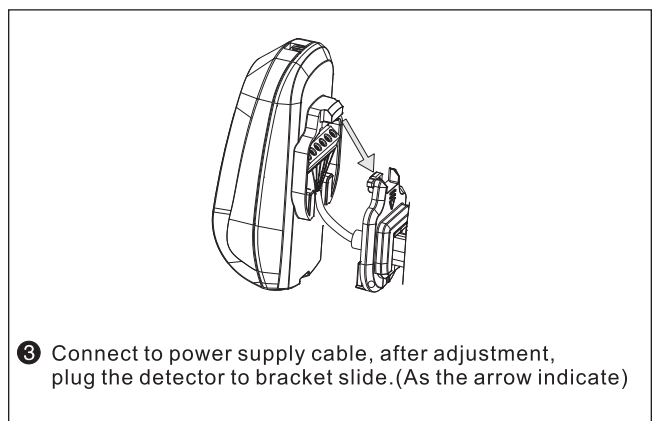
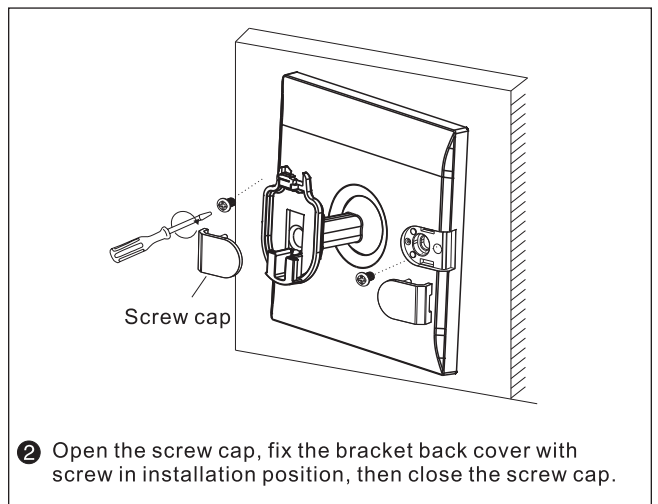
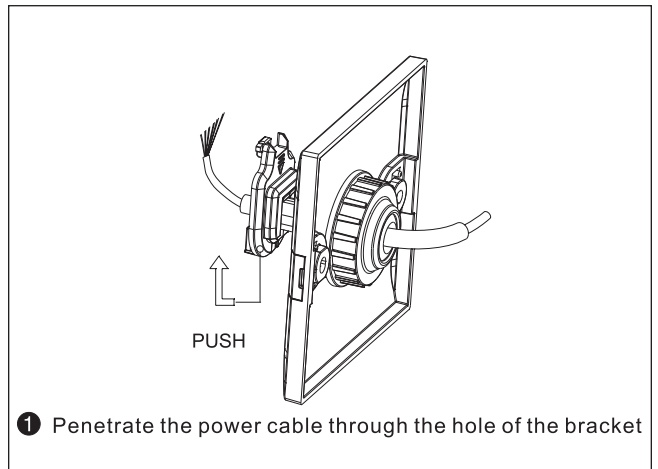
TECHNICAL PARAMETER

Operating Voltage	9~16VDC
Current drain	≤25m A(12VDC)
Working Temperature	-10°C~ +50°C(14°F~122°F)
Sensor type	Dual low-noise pyroelectric infrared sensor
Installation method	Ceiling mounted or Wall mounted
Installation height	≤3.6m
Detecting Range	8m
Detecting Angle	15°
Pulse count	First grade (1P). Second grade (2P).Third grade(3P)
Anti Tamper Switch	N.C. without voltage output, contact rating 28VDC, 100mA
Relay Output	N.C. without voltage output, contact rating 28VDC, 80mA
Size	80x34.5x28mm

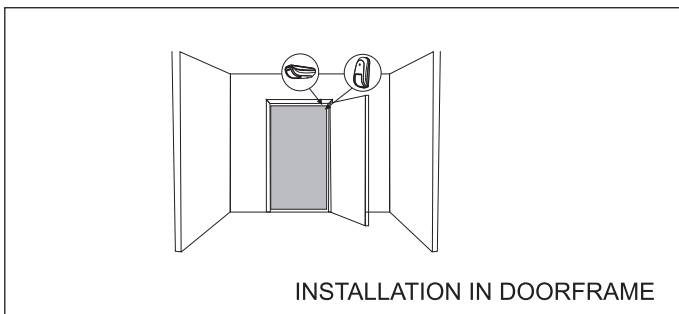
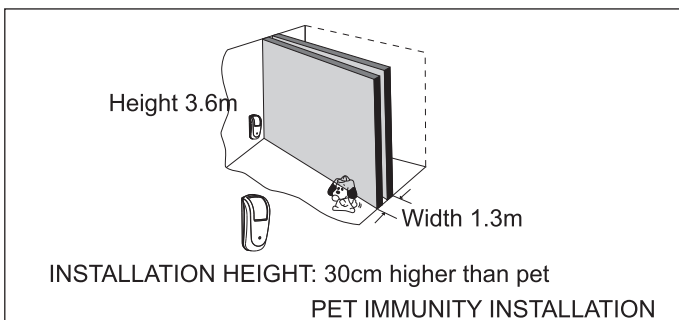
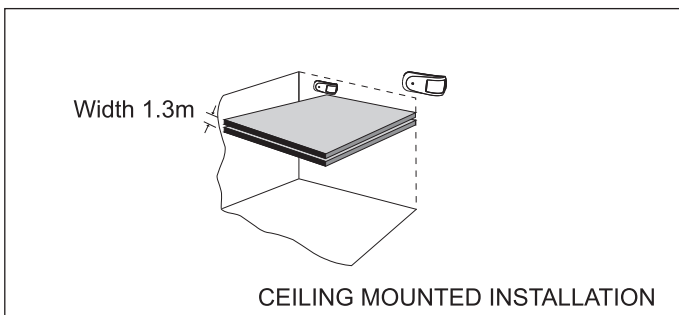
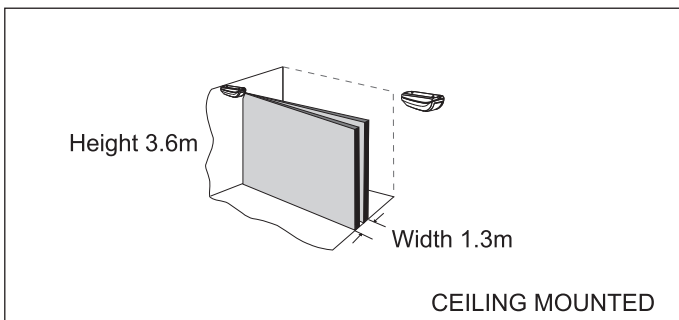
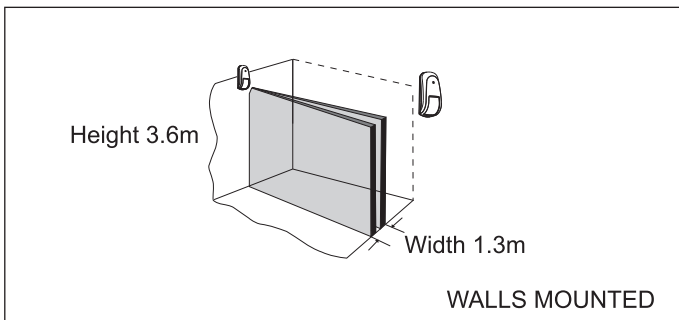
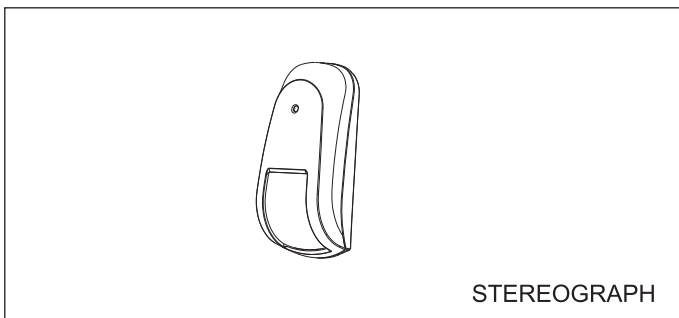
TERMINAL BLOCK FIGURE



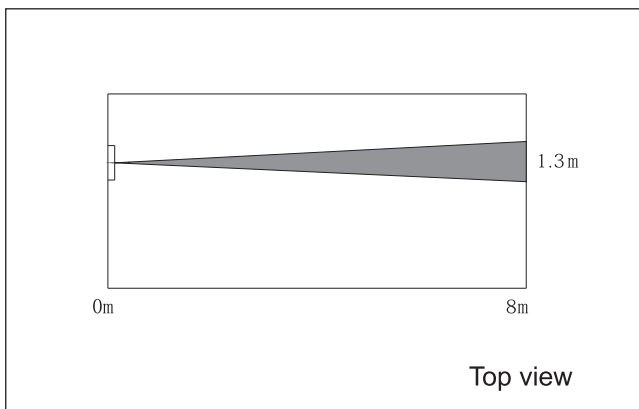
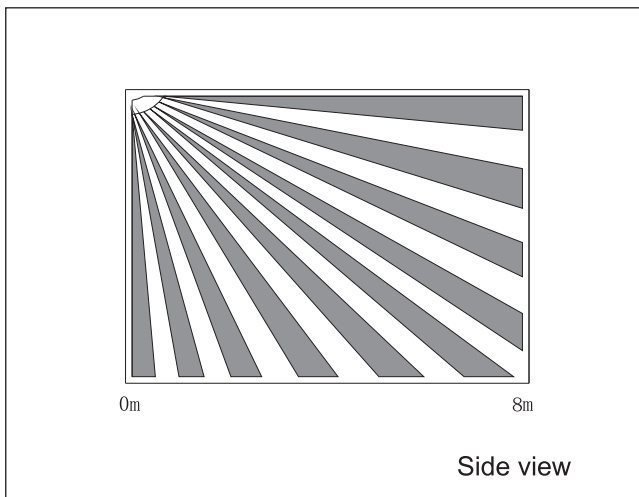
INSTALLATION



INSTALLATION AND USAGE



DETECTOING RANGE FIGURE



USAGE

1. The detector will perform self-checking for about 60 seconds after connect with 12VDC, at the same time LED jumper and the red indicator on. Red indicator off indicate the detector is in monitoring status.
2. The conner enters the detecting area with normal working speed, red indicator on; the detector is in alarm status. Red indicator off indicate the system return to the detecting status again.
3. RELAY jumper is used to set alarm output mode. According to different alarm control panel select different output mode . 1&2 is N.C. 2&3 is N.O. The factory default setting is N.C.
4. P.COUNT jumper is used to select pulse count . 1&2 is the first grade pulse which is suitable for general indoor environment. 2&3 is the second pulse which is suitable for indoor environment with less emission. P.COUNT jumper off is the hird grade pulse which is suitable for indoor environment with more emission. The factory default setting is the first grade pulse.
5. LED jumper is to control LED indicator, which will not effect to the detector's operation

NOTICE

1. Please install and use the detector following the directions. Do not touch the sensor surface as this could result in detector malfunction. If necessary, clean the sensor surface with a soft cloth dipping a little pure alcohol after cutting off the power.
2. Avoid the Products being used in the case of marked changes of temperature.
3. Although the product can reduce the possibility of accident, it can not guarantee absolute safety. The user is advised to take all necessary precautions for safety.
4. We suggest 0.5m diameter cable for power suply, alarm output and tamper output.