



## RFID UHF Label CE33010

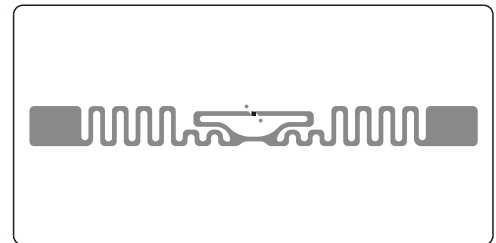
- Widely application in various industries
- Optional surface material for wide application
- Available with customized printing
- Tailored sizes to meet specific requirements.
- Pre-encoding services for easy deployment

### Pyshical Specification

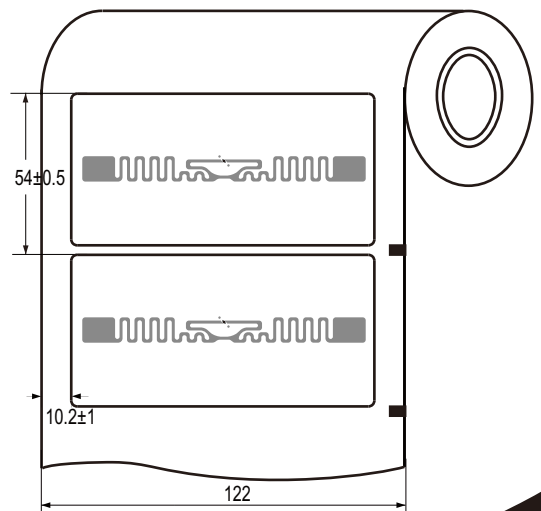
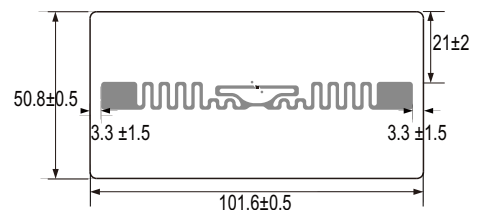
Antenna Size (mm/in):	95×8.5mm(3.74"×0.33")
Die-cut Size (mm/in):	101.6×50.8mm(4"×2 ")
Antenna substrate material:	Aluminun
Surface material:	Coated paper/synthetic paper/Thermal Paper
Liner material:	PET
Standard pitch:	54mm(2.13")

### Electrical Specification

Protocol:	ISO/IEC 18000-6C & EPC global Class 1 Gen 2
Operating Frequency:	860 - 960MHz
Integrated Circuit [IC]:	Alien H3
EPC Memory:	96Bits
User Memory:	512Bits
Unique TID:	96Bits
Access Password:	32 Bits
Kill Password:	32 Bits
RFID Read Range:	Up to 10m (Fixed Reader power - 27dbm)
Expected read cycles:	100,000 cycles

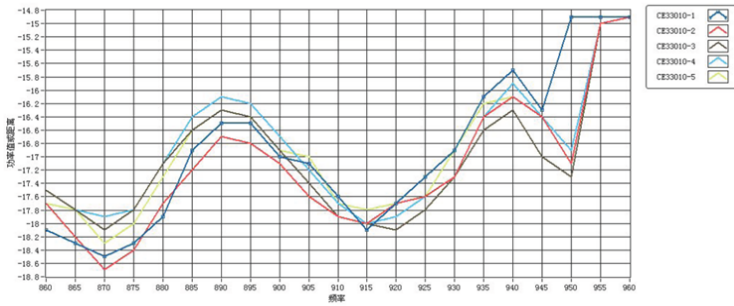


### Inlay Roll Format/Finishing



## Radiation Patterns

Read Range



## Packing information

Average number of units per roll: 3000 pcs

Core size: 76.2mm(3")

Maximum roll outer diameter: ≤25cm

Quality Assurance: 100% performance tested



## Environmental

Operating Temperature: -20°C-60°C

Operating Humidity: 30%-70%

Storage Temperature: -20°C-60°C

Storage Humidity: 30%-70%

ESD: ≤2KV

**Hangzhou Century Link Technology Co.,Ltd**  
 Add: 528 Xingqi Road, Yuhang economic development Area,  
 Hangzhou, P.R.China 311106  
 Tel: +86-571-28818756  
 Fax: +86-571-28818272  
 E-mail: rfid.info@century-cn.com  
 www.centurylinkrfid.com www.century-cn.com

**Century Link America**  
 Add : 10 N Martingale Rd.Suite 400 Schaumburg,IL.60173  
 Tel: (847) 466-1443  
 Email: rfid.info@century-cn.com



Member of

